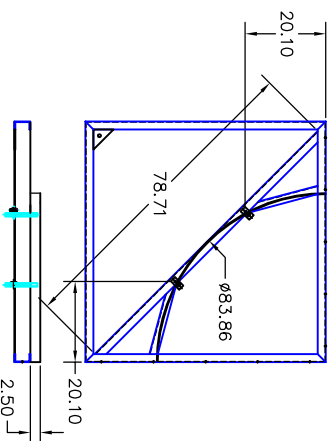
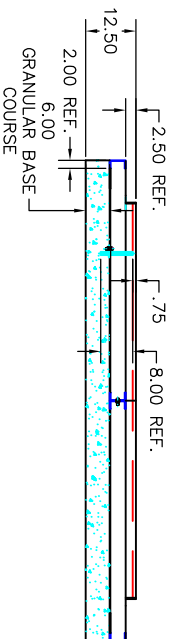
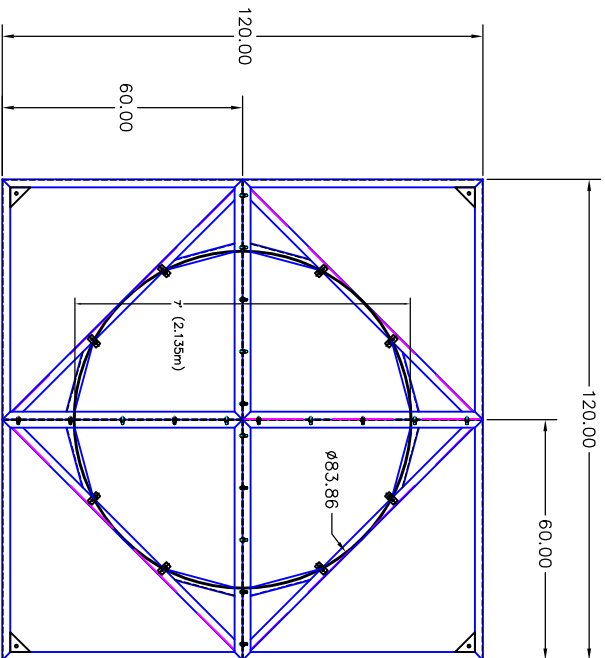


REVISIONS				
ZONE	REV	DESCRIPTION	DATE	APPROVED



FOUR UNITS AS SHOWN TO MAKE ONE THROWING RING

This drawing contains information proprietary to UCS Inc., any reproduction disclosure or use of this drawing is EXPRESSLY PROHIBITED unless agreed in writing by UCS Inc.

UCS		800-526-4856		www.ucsspirit.com	
UNLESS OTHERWISE SPECIFIED DIMENSIONS ARE IN INCHES LINEAR TOL: $\pm 1/16"$ ANGULAR TOL: $\pm 1/2^\circ$		CONTRACT NO.		511 HOFFMAN RD LINCOLNTON, NC, 28092	
MATERIAL: ALUMINUM		APPROVALS		DATE	
PROTECTIVE FINISH:		DRAWN: AMBERLOV		CHECKED: B&B	
ENGINEER		CHECKED		SCALE	
TITLE UCS POUR-IN-PLACE THROWING SHOT, HAMMER RING		DRAWING NO. 725-2592, 725-2593		REV. -	
SHEET 1 OF 1					